

# Mitas

NEWSLETTER FOR CUSTOMERS AND FRIENDS OF MITAS



A New Holland tractor mounted on Mitas AC 65 tyres - front 540/65R28 and rear 650/65R38 SST.

## AC 65: Where low profile rules

Along with the AC 85 and HC 70, the AC 65 is the third main range of Mitas radial tractor tyres. The key properties of these tyres stem from their low profile, meaning the ratio of the sidewall height to the tread width. The number 65 in the name means that the tyre height is 65% of its width. Wide tyres give the user a series of advantages and meet the demands of modern agricultural equipment.

The AC 65 is a versatile, low-profile tyre range for work in fields and on roads. With its width and resulting large contact area, it stays soil-friendly even under high loads. The AC 65 boasts a 17% wider contact area than a standard tyre of the same diameter with an 85% profile. Currently, Mitas manufactures a total of 23 versions for tractor rims of 16 to 42 inches in the 65% profile. This makes the AC 65 Mitas' second most extensive radial tractor tyre range after the AC 85, which offers a standard profile and 33 sizes.

### Soil protection above all

"These tyres are a great choice for modern tractors with power outputs from 60 to around 160 kW, where both soil protection and high load capacities are needed. They are also suitable for grassland. Their excellent traction and wear-resistant compound make them outstandingly economical," says Pavel Kott, Product Manager for Mitas agricultural tyres, summarizing the key qualities of the AC 65 range. In addition, these tyres provide greater operator comfort even at higher speeds of up to 65 km/h. "Our

basic philosophy was to develop a range of radial tractor tyres that would permit higher loads while retaining their outer diameter. This is directly related to the development of agricultural machinery featuring higher power outputs and weight that needs distributing to prevent soil compaction," Kott continued, explaining the reasons behind the development of the AC 65 range.

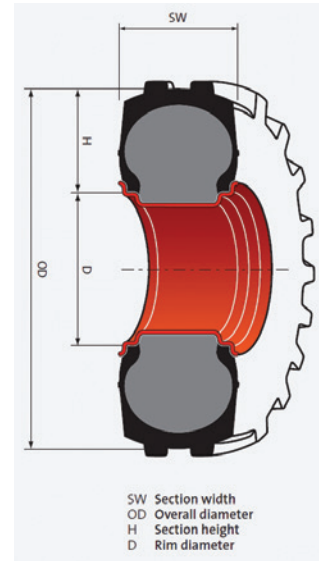
The smallest AC 65 version is the 320/65R16 117 D (120 A8) designed for the front axles of

*Continued on page 2*

Continued from page 1



The narrower AC 65 N tyre has been designed for special agricultural machinery like seeders and is supplied in the 420/65R20 size.



The key tyre properties stem from their profile, meaning the ratio of the sidewall height to the section width. The number 65 in the name of the product range means that the tyre height is 65% of its width.

tractors, while at the other end of the size spectrum we find the rear 650/65R42 165 D (168 A8).

Global agricultural machinery manufacturers like John Deere, AGCO, CNH, and ARGO use AC 65 tractor tyres as original equipment.

At the request of one agricultural machinery manufacturer, the AC 65 tyre offer was expanded to include the special narrower AC 65 N (Narrow) supplied in the 420/65R20 125 D (128 A8) size. It is designed for agricultural machinery like seeders, and not for tractors.

### A popular profile

Radial tyres with the 65% profile also appear in a number of other Mitas tyre product groups. Three versions are offered in the SST (Silent Speed Tyre) rear tractor tyre range. These tyres combine the excellent characteristics of the



Standard tyre

The very large contact patch permits high traction and gentle ground handling.



Wide AC 65 tyre

AC 65 range in the field with high on-road comfort, as their special construction reduces cabin noise to a minimum. They reduce the “booming” effect and cabin noise by 3-6 dB(A) compared to conventional tyres of the same size. They are also adapted for extended operation at speeds of up to 70 km/h.

More “sixty-fives” are offered in the flexible sidewall construction (SFT – Super Flexion Tyre)

tyres designed for high-powered agricultural machinery. Similarly, there are several VF (Very High Flexion) tyres in 65%-profile sizes for very high-powered tractors (HC 2000) and harvesting machinery (HC 3000). The AC 65 IMP tyres, designed for the driven axles of harvesting machinery, stand out thanks to their high load capacities and flexibility. Sizes available are the 600/65R28 IMP (two versions differing in load capacity), the 540/65R30 IMP, and the 710/65R30 IMP.

“The AC 65 tractor tyre range are modern low-profile tyres suitable for the latest agricultural machinery. Their characteristics mean they effectively contribute to soil protection while being capable of high power transfer. The result is that we are successfully selling them through our sales network all over the world,” Kott says. (JB)

## When you say ETRTO...

This tortuous acronym is used for an indispensable organization for tyre manufacturers – The European Tyre and Rim Technical Organisation. It brings together European manufacturers of tyres, rims, and valves, and defines the technical parameters of their products to ensure they are compatible and interchangeable.

ETRTO was founded in 1964 but had been operating in Europe since 1956 under the name ETWC – The European Tyre and Wheel Technical Conference. Its main aim is to further align national standards to achieve interchangeability of tyres, rims, and valves for both fitting and use. The organization determines the technical dimensions and loading and inflation characteristics for different tyre sizes. It sets requirements for the uniform marking of tyres and their categorization. It also issues recommendations for handling

different types of tyres. Other ETRTO aims include promoting the exchange of technical information about tyres, rims, and valves. The adopted standards are then used in many industries – from the manufacture of bicycles, motorcycles, passenger cars and trucks, through to agricultural machinery.

The organization plays a key role primarily in the development of new tyres. Tyre manufacturers use ETRTO recommendations and standards when determining sizes and parameters. “These determine the basic sizes of the tyres as well as their

main characteristics, like inflation pressure range or top speed, and we use them when preparing the documentation for a new tyre mould. The key characteristics are thus already set in this early development phase with the help of ETRTO manuals,” explains Pavel Kott, Product Manager for Mitas agricultural tyres, adding, “If a manufacturer is intending to come up with a completely new and non-standard tyre size, the ETRTO executive committee, which issues the Experimental Standards, assesses its plan.”



Trelleborg Wheel Systems is a full member of ETRTO, so the Mitas brand is represented through it.

In North America, there is a similar organization bringing together manufacturers, the TRA – The Tire and Rim Association. As Mitas tyres are also supplied to the North American market, their sizes must comply with the recommendations issued by the TRA. (JB)

## New SPORT FORCE+ versions

Mitas launches new versions of the popular Mitas SPORT FORCE+ motorcycle tyres in selected sizes. The SPORT FORCE+ EV uses a new compound designed for riders of hypersport motorcycles who are looking for a road legal tyre for track days, while the SPORT FORCE+ RS uses the new Racing Soft compound.

Designed for very fast, easy, and precise steering, the Mitas SPORT FORCE+ EV (Evolution) ensures maximum control at extreme lean angles thanks to its contact patch design and materials. Featuring Multi Compound Tread Technology and incorporating completely new compounds, the SPORT FORCE+ EV delivers extremely high grip when cornering, and improved performance when accelerating out of corners and braking. The Mitas SPORT FORCE+ EV has been available on the market since March 2021 in four sizes: 120/70ZR17 (58W), 180/55ZR17 (73W), 190/50ZR17 (73W) and 190/55ZR17 (75W).

For fast and confident performance, the Mitas SPORT FORCE+ RS (Racing Soft) delivers the highest racing performance expected from this type of tyre: amazing grip, good slide control and contact feel. The newly developed Racing Soft compound guarantees



outstanding performance on dry racetracks at different track and air temperatures. The Mitas SPORT FORCE+ RS has also been available on the market since March, initially in two sizes: 110/70ZR17 (54W) and 140/70ZR17 (66W).

JANJA LIKAR ČARMAN, MITAS MOTO



Watch the Mitas SPORT FORCE+ EV motorcycle tyres video here.

## New tyre for the HC range - the HC 3000 R

The Mitas HC (High Capacity) radial tyre range expands its offering with the new HC 3000 R tyre featuring Very High Flexion (VF) technology and rounded shoulder sections. The new HC 3000 R tyre is now available in the largest-ever size in this range - the VF 1000/65R32 CFO HC 3000 R 200 A8.

The rounded shoulder sections (hence the R in its name) minimize soil degradation, in particular when the machine is turning in a field or meadow. Unlike the HC 3000 tyres (typically used for combine harvesters and other harvesting machinery) the HC 3000 R is suitable for special agricultural machinery, for example self-propelled slurry tankers.

"We developed this new tyre in response to market demand for a high load capacity tyre for slurry tankers, equipping it with a new and highly soil-friendly tread pattern," explains Pavel Kott, Product Manager for Mitas agricultural tyres.

The outer diameter of this new tyre is 2,113 mm and its other parameters are also worthy of respect: in the 0-50 km/h speed range, the tyre's load capacity is 14,000 kg when inflated to 2.8 bars, while in the 0-15 km/h

cyclic mode this rises to 18,620 kg (again at 2.8 bars).

Just like other HC 3000 versions, the new tyre is designed for CFO (Cyclic Field Operation), where the load on the machine repeatedly changes as the grain or fertilizer tank is filled and emptied. The main strength of the HC 3000 R tyres is their high load capacity, which enables more efficient operation. Thanks to their VF construction, they have up to 40% higher load capacity than regular tyres, which remains constant irrespective of speed. This is a great advantage for drivers, as it means they do not need to adapt tyre pressure to speed. As they can be used at lower inflation pressures, these tyres also have excellent traction and reduce slippage. There are currently seven sizes in the HC 3000 & HC 3000 R range. (JB)



The new HC 3000 R tyre is supplied in the 1000/65R32 CFO size.



Photo by KTM/Rudi Schedl.

## KTM selects the Mitas TERRA FORCE-R

Mitas has announced a partnership with KTM Sportmotorcycle to fit the 2021 KTM 1290 SUPER ADVENTURE S with its Mitas TERRA FORCE-R tyres. This is the second Mitas original equipment fitment approved by KTM, following the Mitas E-07 on the 2019 KTM 690 ENDURO R model.

The new 2021 KTM 1290 SUPER ADVENTURE S is fitted with Mitas TERRA FORCE-R 120/70ZR19 60W TL front and 170/60ZR17 72W TL rear tyres. "We are really proud that our products impressed KTM Sportmotorcycle once again. Our partnership continues with an original equipment fitment on the most powerful KTM ADVENTURE motorcycle. The 2021 KTM 1290 SUPER ADVENTURE S is the ultimate high-performance adventure bike, and it needs an equally high-performance



The Mitas TERRA FORCE-R is designed specifically for 90% road and 10% off-road use.

tyre," says Gustavo Pinto Teixeira, Vice President Two Wheels & Specialty Tires.

Mitas TERRA FORCE-R is designed specifically for 90% road and 10% off-road use. It is ideal for riders looking for a tyre able not only to perform at highway speeds and on country roads, but also to handle gravel whenever they feel the desire to explore beyond roads.

The tyre satisfies a single rider, as well as accommodating a pillion rider and their luggage. It guarantees excellent traction and braking performance even on wet roads and at low temperatures, while combining an attractive and functional tread design. This design ensures dynamic performance, responsiveness, manoeuvrability, straight-line stability at high speeds and a high level of predictability.

JANJA LIKAR ČARMAN, MITAS MOTO



Photo by KTM/KISKA.

Mitas motorcycle and aircraft tyres are part of the Two Wheels & Specialty Tires business unit of Trelleborg Wheel Systems.

Mitas IN is published four times a year. This issue, volume 19, number 2/2021, was published by Trelleborg Wheel Systems Czech Republic a.s. (Švehlova 1900, Prague 10, Czech Republic) on June 21, 2021 in Prague. Telephone +420 224 210 206; e-mail [press@mitas-tyres.com](mailto:press@mitas-tyres.com); [www.mitas-tyres.com](http://www.mitas-tyres.com).

Mitas, part of the Trelleborg Group, is one of Europe's leading tyre brands for agricultural machines, construction vehicles, material handling equipment, motorcycles, and other specialty segments. Mitas tyres are produced in the Czech Republic, the United States, Serbia, Slovenia and Sri Lanka and promoted through a global sales and distribution network.

## IN short

### SFT for best performance

With its SFT (Super Flexion Tyres), Mitas provides flexible sidewalls for maximum load capacity, and the lowest possible inflation pressure for improved traction and optimum soil protection even with heavy machinery. That is why they are used on high-horsepower agricultural machinery like this Fendt tractor using dual-mounted tyres 650/65R34 SFT (front) a 680/80R42 SFT (rear). Thanks to their maximum speed of 65 km/h, SFT tyres concurrently permit rapid transport along roads and thereby increase the productivity of the respective machine. The SFT product range is primarily designed for high-powered combine harvesters, tractors and grain trucks. It includes 41 sizes today, and here we also find the largest mass-produced Mitas tyre - the 1250/50R32. In 2021, this product range will be extended by a new version of the already available 750/65R26 SFT size with a higher 171 D (174 A8) load index.



### Chris Birch recommends Mitas tyres

Making the right motorcycle tyre choice for both road and off-road can be quite challenging. Mitas adventure ambassador Chris Birch has prepared three amazing tutorials to help riders make a decision. Starting with the Mitas TERRA

FORCE-R, classified as a 90/10 tyre (90% on-road, 10% off-road) and fitted as an OE-tyre on the new 2021 KTM 1290 SUPER ADVENTURE S, he continues with the Mitas E-07+ for riders looking for a 60/40 tyre (60% on-road, 40% off-road)

and finishes with the Mitas E-13 RALLY STAR and E-12 RALLY STAR for those looking for some genuine off-road adventure riding.



Download the latest issue of Mitas IN here.